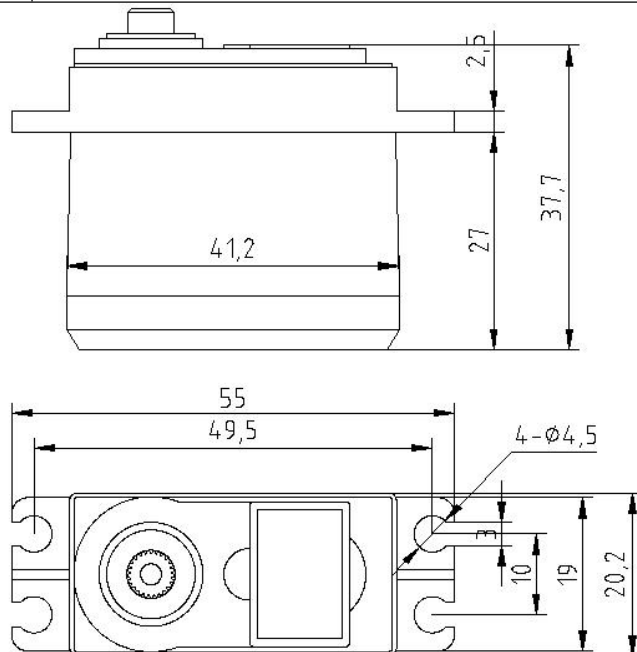


GS-3360BB

Control System	Positive PWM control 1500 usec Neutral	
Operation Voltage Range	4.8V ~ 6.0V	
Operation Temperature Range	-20C° ~ +60C°	
Test Voltage:	At 4.8V	At 6.0V
Standing Torque	2.8.0kg.cm	3.0kg.cm
Speed	360 deg at no load	360 deg at no load
Idle Current	200mA at stopped	250mA at stopped
Running Current	1200mA at no load	1300mA at no load
Dead band width	8 usec	8 usec
Circle	15000 times	
Operation Travel	60° ± 10°	
Direction	Re-clock wise/ Pulse Travel 1500 to 1900 usec	
Driver type	FET drive	
Motor Type	Carbon Brush	
Potentiometer Type	Indirect drive	
Amplifier Type	Analog Control	
Dimensions	41.2*20.1*37.7 mm	
Weight:	36g without splined horn	
Ball Bearing	Double ball bearing	
Gear Material	POM	
Case Material	Nylon plus fiber	
Connector Wire Length	300mm	
Connector Wire Gauge	26AWG heavy duty (Futaba Universal)	
Wire Info (Black)	Negative	
Wire Info (Red)	Positive	
Wire Info (White)	S Single	



GS-3630BB

